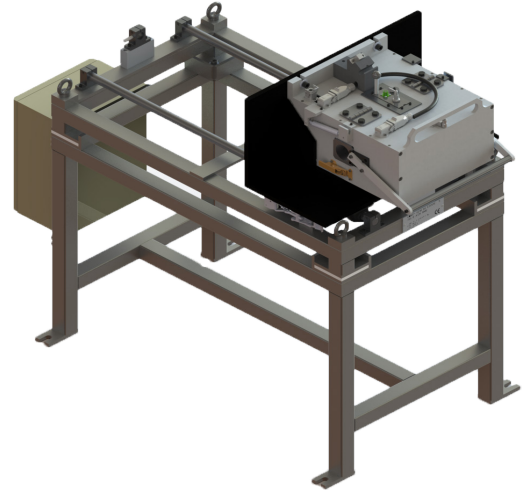
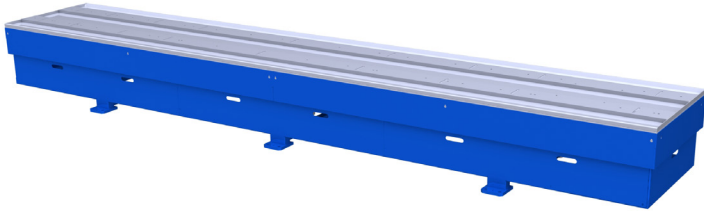


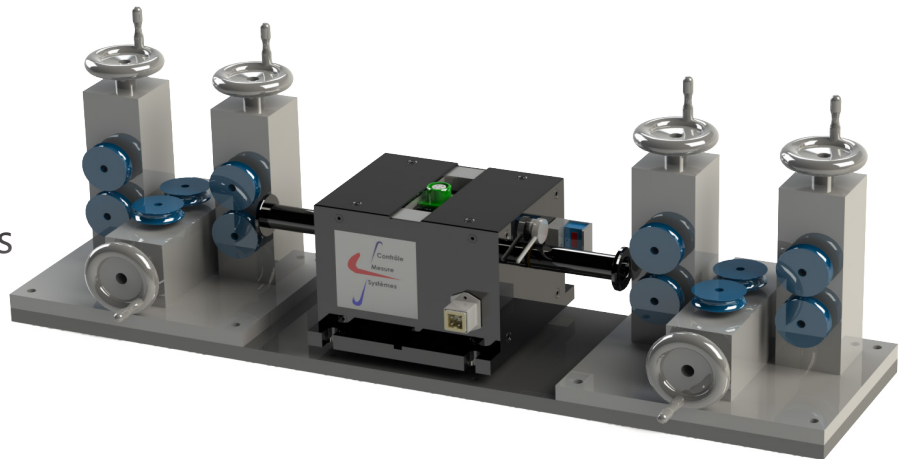
# MECHANICAL BENCHES

THE MECHANICAL BENCHES ARE DESIGNED TO SUPPORT THESE CENTERING DEVICES SYSTEMS.

Mechanical bench

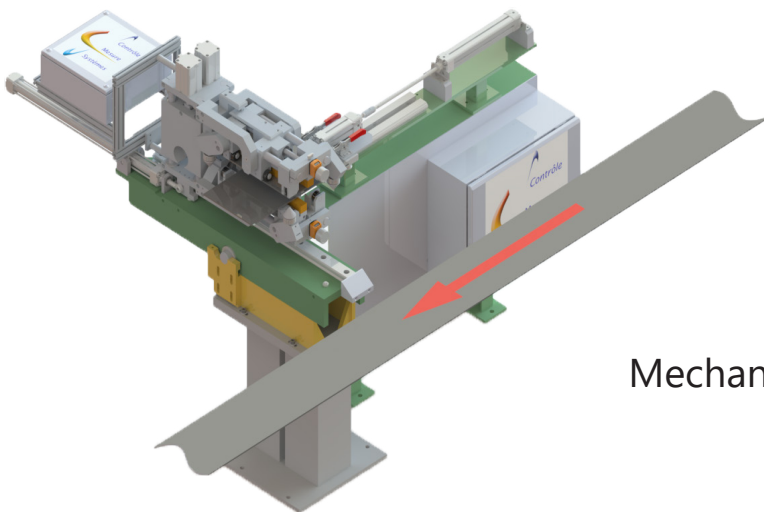
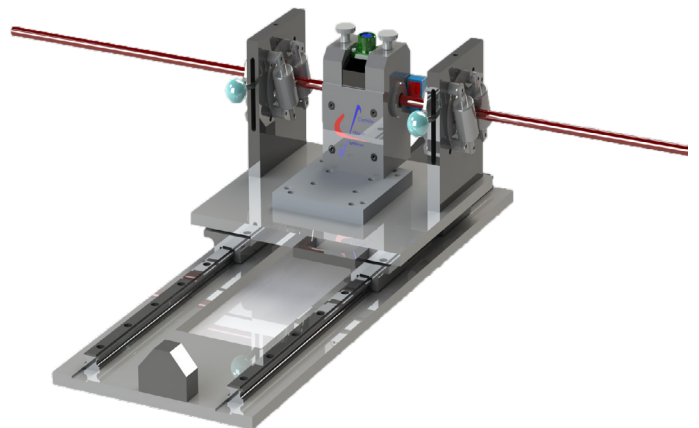


Support bench for opening magnetizing



Magnetizing unit with rollers

Lift table with support coils



Mechanical bench for aluminium sheet inspection